



MODEL: GF0876 | **DESCRIPTION:** SPEAKER

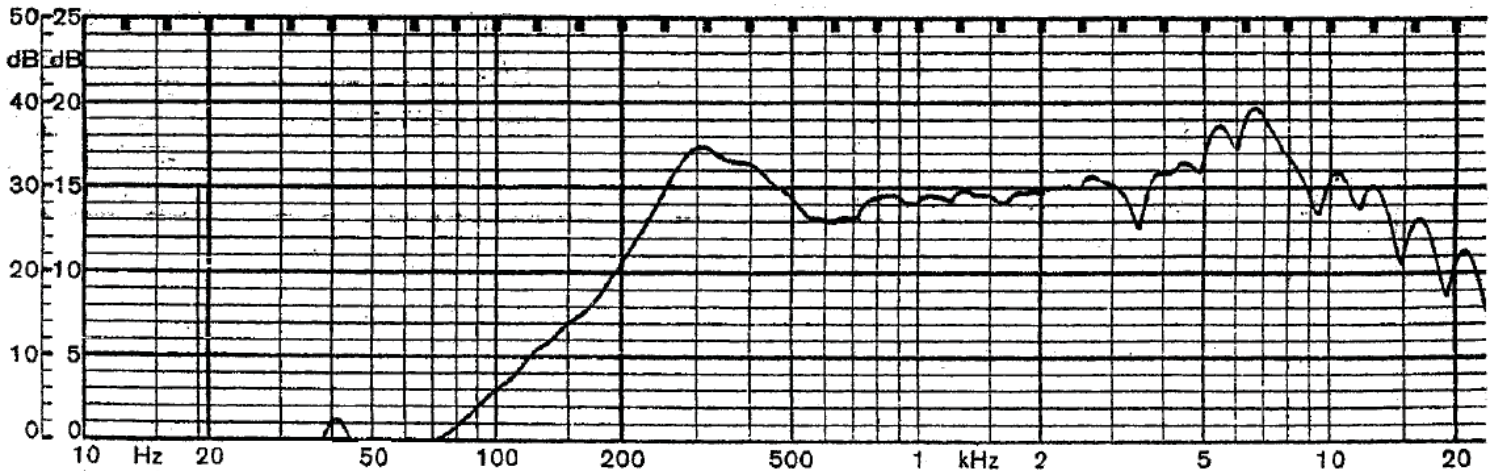


SPECIFICATIONS

parameter	conditions/description	min	typ	max	units
nominal size			87		mm
impedance	at 0.8 kHz, 1 V	6.8	8	9.2	Ω
resonant frequency	at 1 V	232	290	348	Hz
sound pressure level	1 W, 50 cm ave., at 1, 1.4, 1.7, 2 kHz	96	99	102	dB
response	10 dB max.	Fo		18,000	Hz
input power			2	3	W
operation	must be normal at program source		2		W
buzz, rattle, etc.	must be normal at sine wave		4		Vdc
magnet	size: 45 x 22 x 8				mm
operating temperature		-25		70	$^{\circ}\text{C}$
storage temperature		-40		80	$^{\circ}\text{C}$
load test	24 hours of white noise		2		W
heat test	20 ~ 50% RH for 24 hours	68	70	72	$^{\circ}\text{C}$
humidity test	90 ~ 95% RH for 24 hours	38	40	42	$^{\circ}\text{C}$
RoHS	yes				

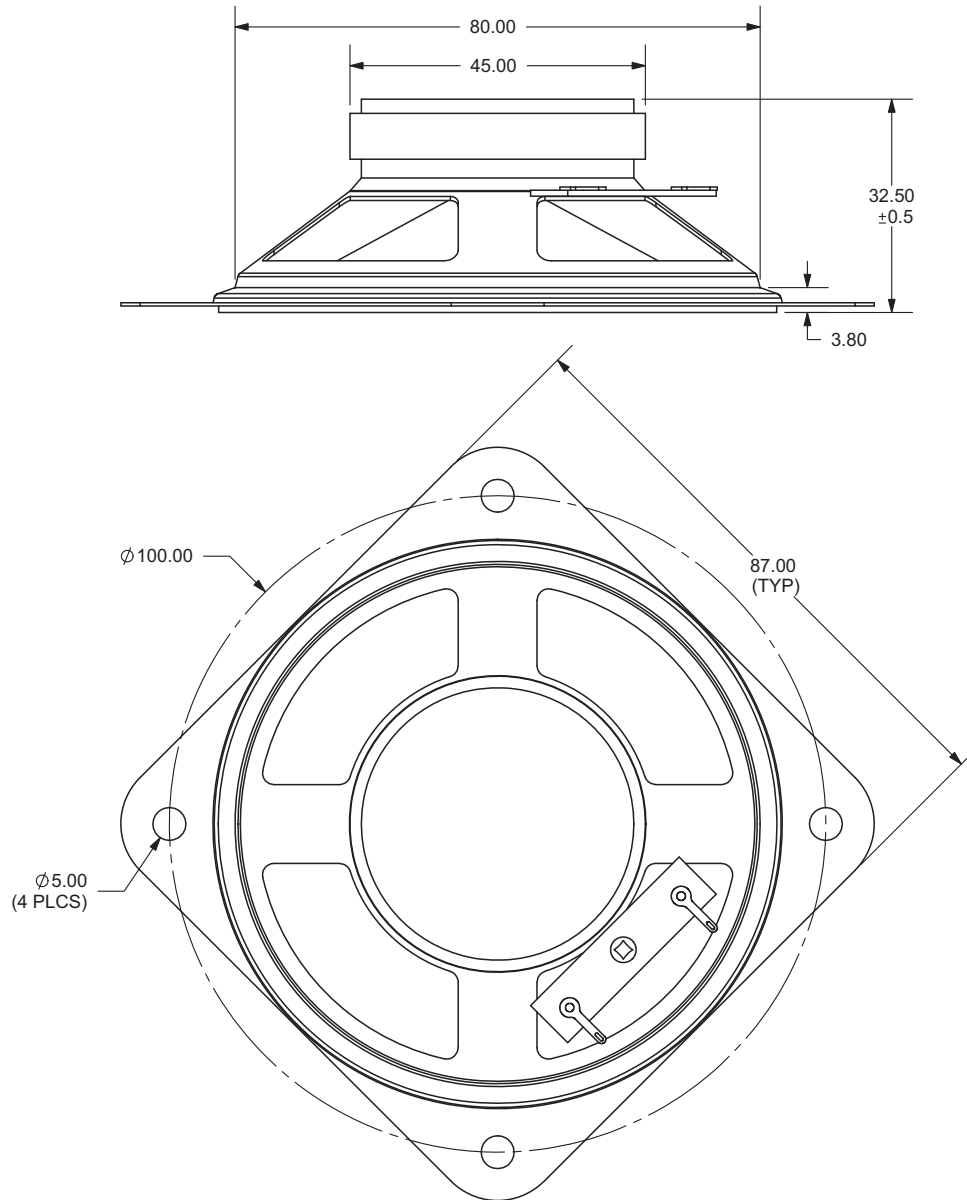
FREQUENCY RESPONSE CURVE

parameter	conditions/description
potentiometer range	50 dB
rectifier	RMS
lower limit frequency	20 Hz
wr. speed	100 mm/sec
zero level	70 dB



MECHANICAL DRAWING

units: mm
tolerance: ± 0.5 mm



REVISION HISTORY

rev.	description	date
1.0	initial release	09/18/2006
1.01	applied new spec template, added operating & storage temperatures	05/16/2013

The revision history provided is for informational purposes only and is believed to be accurate.



Headquarters
20050 SW 112th Ave.
Tualatin, OR 97062
800.275.4899

Fax 503.612.2383
cui.com
techsupport@cui.com

CUI offers a one (1) year limited warranty. Complete warranty information is listed on our website.

CUI reserves the right to make changes to the product at any time without notice. Information provided by CUI is believed to be accurate and reliable. However, no responsibility is assumed by CUI for its use, nor for any infringements of patents or other rights of third parties which may result from its use.

CUI products are not authorized or warranted for use as critical components in equipment that requires an extremely high level of reliability. A critical component is any component of a life support device or system whose failure to perform can be reasonably expected to cause the failure of the life support device or system, or to affect its safety or effectiveness.